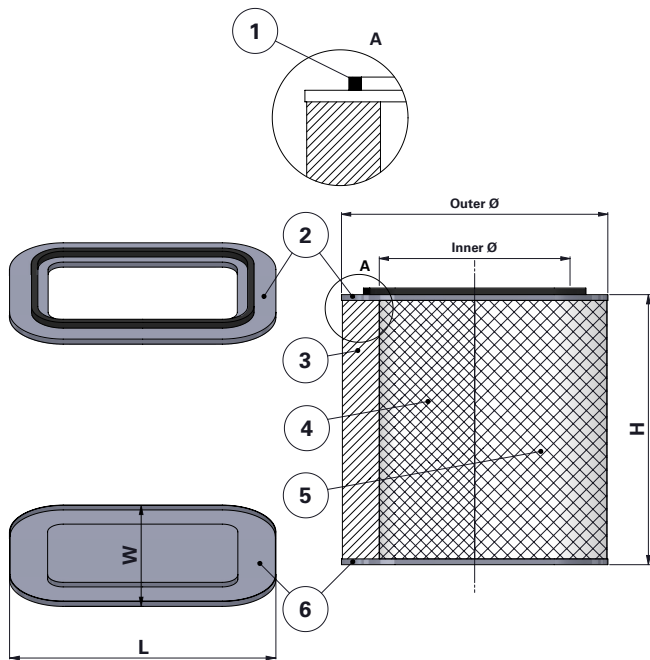




# DATA SHEET

## Replacement Elements

Cartridges – WSO 10, 15, 20, 25 – Open Closed



### WSO 10, 15, 20, 25 – Open Closed

Straight Oil Primary Cartridge Filter  
 Smoke Primary Cartridge Filter  
 Soluble Water Primary Cartridge Filter

For WSO 10, 15, 20, 25 and other brands of cartridge collectors

With outer liner

Item	Description
1	Gasket
2	Top end cap
3	Media pack with aluminum separator
4	Inner liner
5	Outer liner
6	Bottom end cap closed

	Dimensions [mm]			
	WSO 10	WSO 15	WSO 20	WSO 25
H	254	382	509	636
L	387	502	502	603
W	241	362	362	464